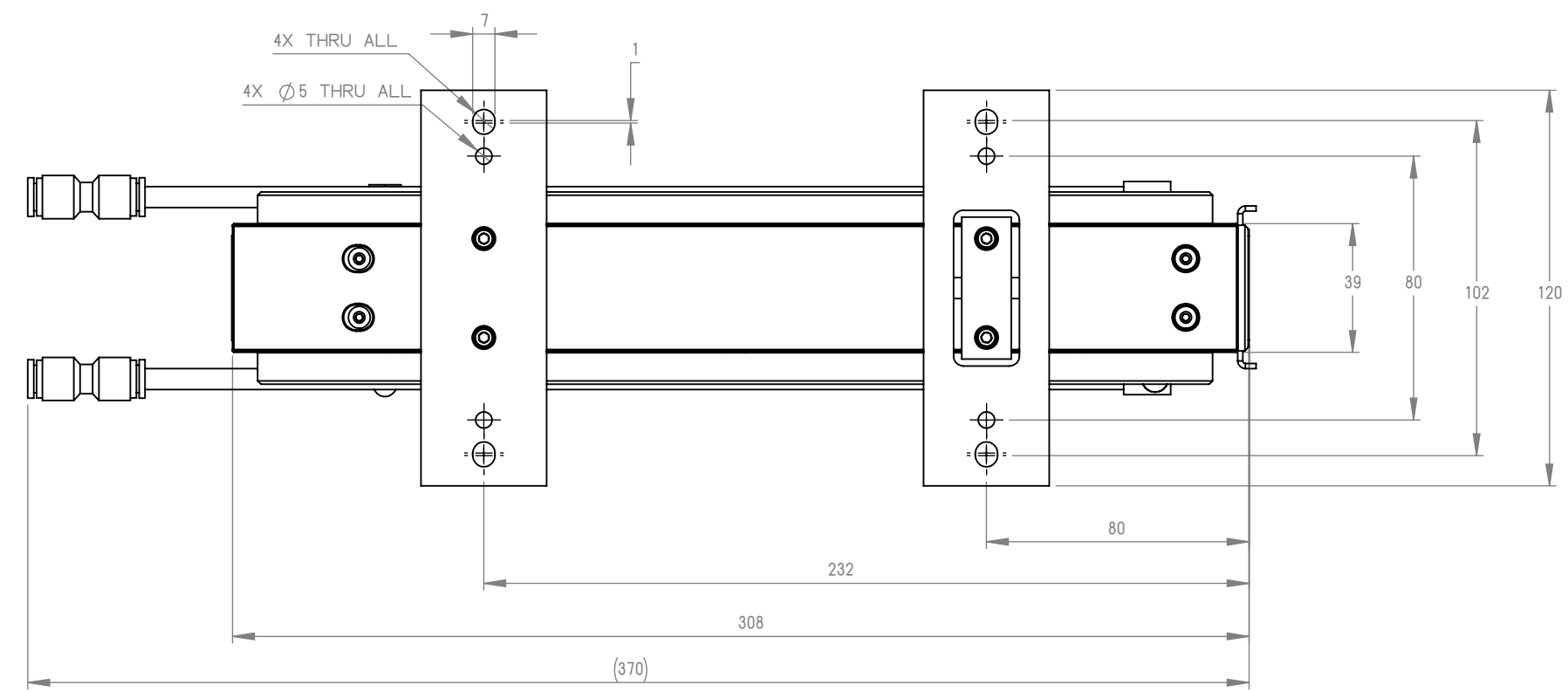
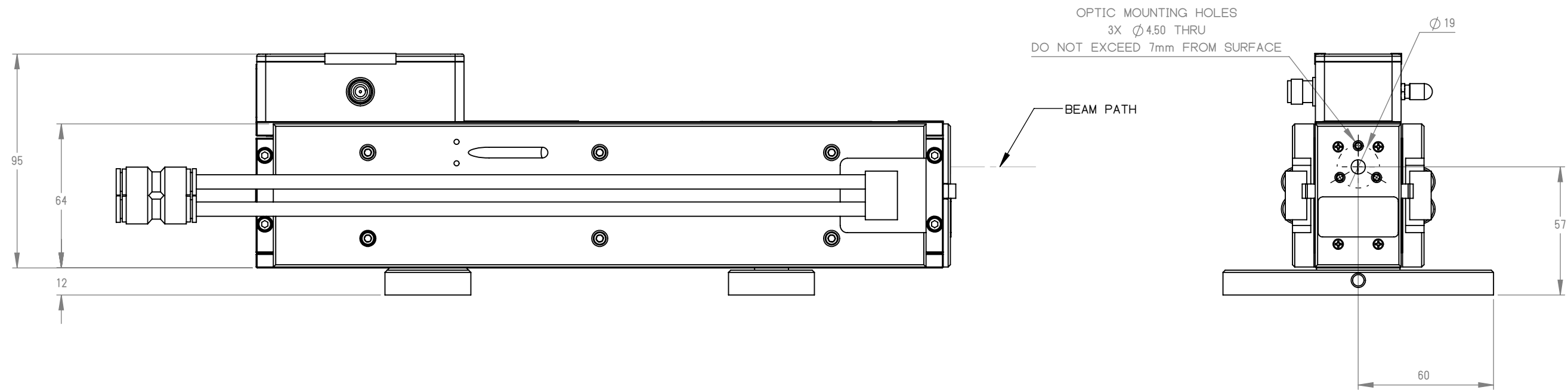


NOTES UNLESS OTHERWISE SPECIFIED:

1. DRAWING IS FOR REFERENCE ONLY.

REVISIONS						
ECO NUMBER	ZONE	REV.	REVDESCRIPTION	REVBY	REVDATE	REVAPP



ACCESS LASER TRUMPF
Member of the TRUMPF Group

Phone: 425-582-8674
Fax: 425-582-8679
www.accesslaser.com/
purchasing@accesslaser.com

TOLERANCE / UNIT	
ISO 2768	
METRIC	
0.0 UP TO 0.5:	±0.1
0.5 UP TO 6:	±0.1
< 6 UP TO 30:	±0.2
< 30 UP TO 120:	±0.3
< 120 UP TO 400:	±0.5
< 400 UP TO 1000:	±0.8
ANGULAR:	±0°20'

RESERVED	FINISH	
	MATERIAL	
	DESIGNED BY	
	DRAWN BY	3/13/2023
	CHECKED BY	
	APPROVED BY	

	THIRD ANGLE PROJECTION	SURFACE FINISH

PART NO. 891-03401-006	REV A.01
DESCRIPTION: L4SL Laser, WCCL 12V	
DRAWING SHALL BE IN ACCORDANCE WITH ASME Y14.5-2009	DO NOT SCALE DRAWING
SCALE 1:2	SHEET 1 OF 1
SIZE B	

PROPRIETARY AND CONFIDENTIAL
THE INFORMATION CONTAINED IN THIS DRAWING IS THE SOLE PROPERTY OF ACCESS LASER COMPANY. ANY REPRODUCTION IN PART OR AS A WHOLE WITHOUT THE WRITTEN PERMISSION OF ACCESS LASER COMPANY IS PROHIBITED.