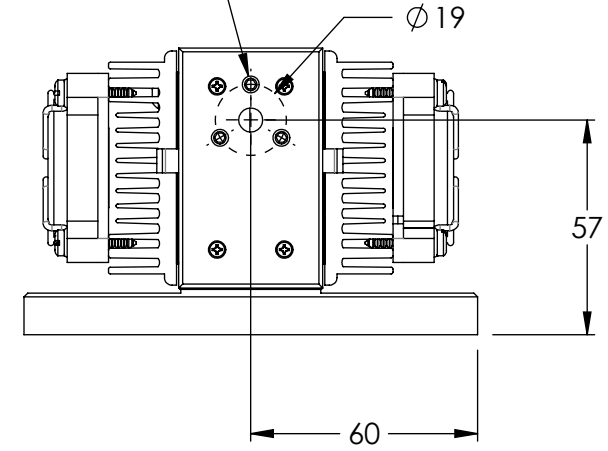
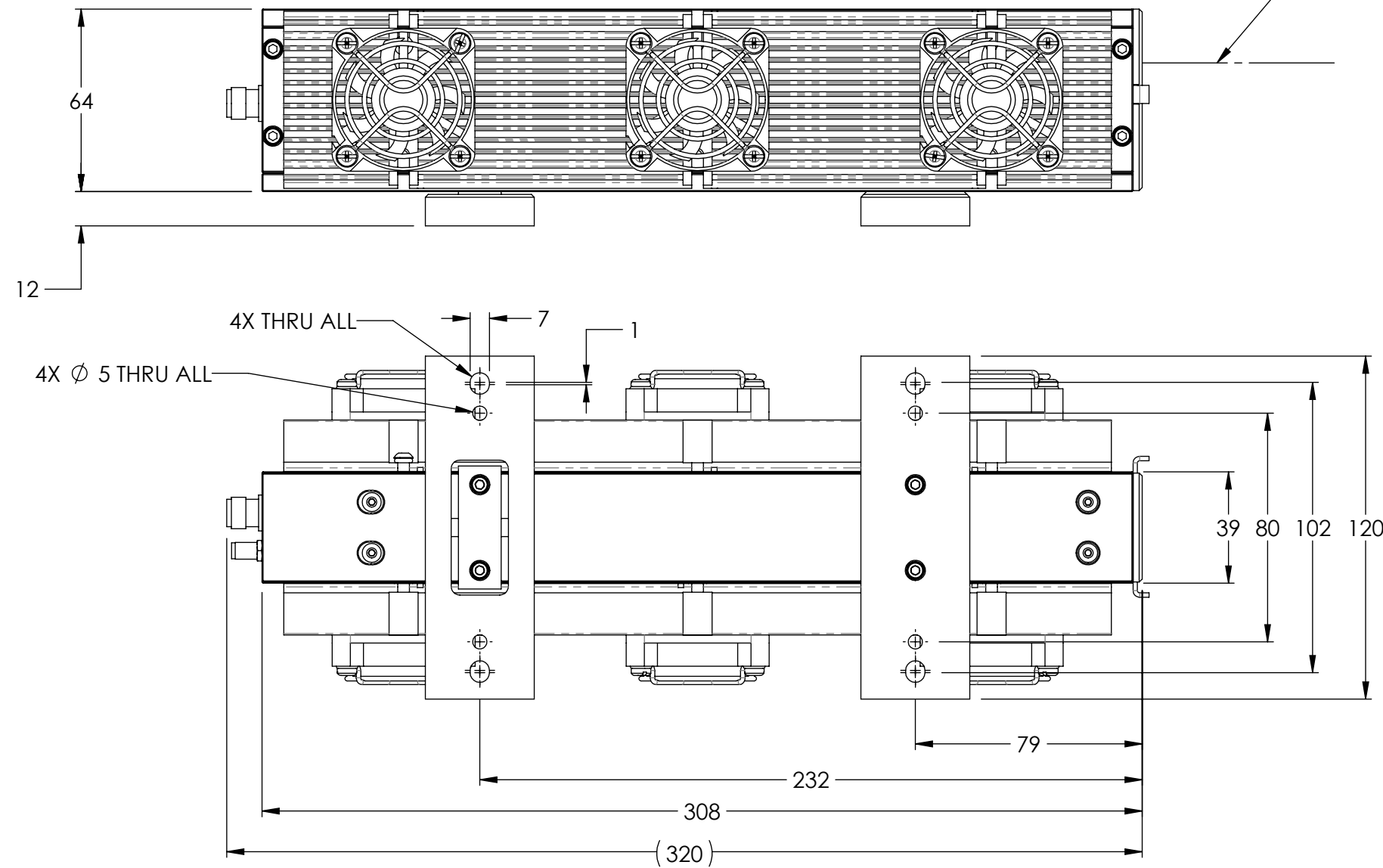


REVISION HISTORY					
ECO	ZONE	REV	DESCRIPTION	DATE	APPROVED
		A.01			

NOTES UNLESS OTHERWISE SPECIFIED:
 1. DRAWING IS FOR REFERENCE USE ONLY.

OPTIC MOUNTING HOLES
 3X Ø 4.50 THRU
 DO NOT EXCEED 7mm FROM SURFACE

BEAM PATH



ACCESS LASER TRUMPF
 Member of the TRUMPF Group

Phone: 425-582-8674
 Fax: 425-582-8679
 www.accesslaser.com/
 purchasing@accesslaser.com

PROPRIETARY AND CONFIDENTIAL

THE INFORMATION CONTAINED IN THIS DRAWING IS THE SOLE PROPERTY OF ACCESS LASER COMPANY. ANY REPRODUCTION IN PART OR AS A WHOLE WITHOUT THE WRITTEN PERMISSION OF ACCESS LASER COMPANY IS PROHIBITED.

TOLERANCE / UNIT	
ISO 2768	ASME Y14.5-2009
METRIC	INCHES
0.5 UP TO 6 : ±0.1	.x ± .1
< 6 UP TO 30 : ±0.2	.xx ± .01
< 30 UP TO 120 : ±0.3	.xxx ± .005
< 120 UP TO 400 : ±0.5	
< 400 UP TO 1000 : ±0.8	
ANGULAR: MACH ±0°20'	FRACTIONAL ±1/64 BEND: ±.3 ANGULAR: MACH ±0°5'

DRAWN BY	AD
CHECKED BY	
APPROVED BY	
FINISH	
MATERIAL	

THIRD ANGLE PROJECTION

SURFACE FINISH

PART NO.	REV A.01
DESCRIPTION: L4S Laser, FCCL 12V	
DRAWING SHALL BE IN ACCORDANCE WITH ASME Y14.5-2009	DO NOT SCALE DRAWING
SCALE 1:2	SHEET 1 OF 1
SIZE B	