

4

3

2

1

REVISION HISTORY					
ECO	ZONE	REV	DESCRIPTION	DATE	APPROVED
		A.01			

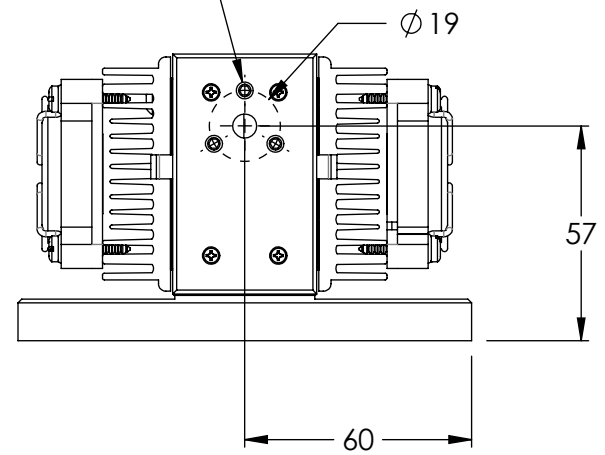
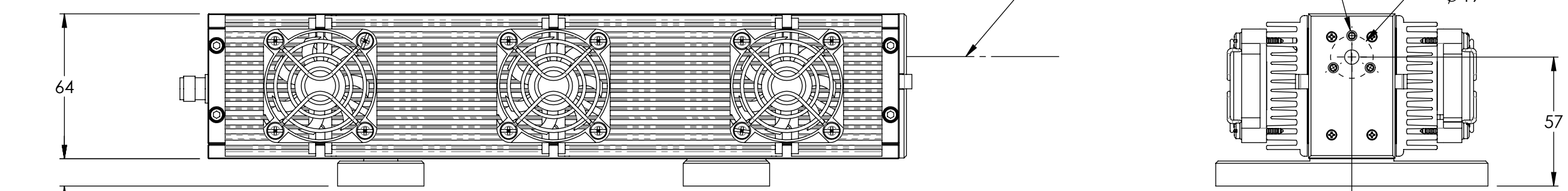
NOTES UNLESS OTHERWISE SPECIFIED:
 1. DRAWING IS FOR REFERENCE USE ONLY.

OPTIC MOUNTING HOLES
 3X Ø 4.50 THRU
 DO NOT EXCEED 7mm FROM SURFACE

BEAM PATH

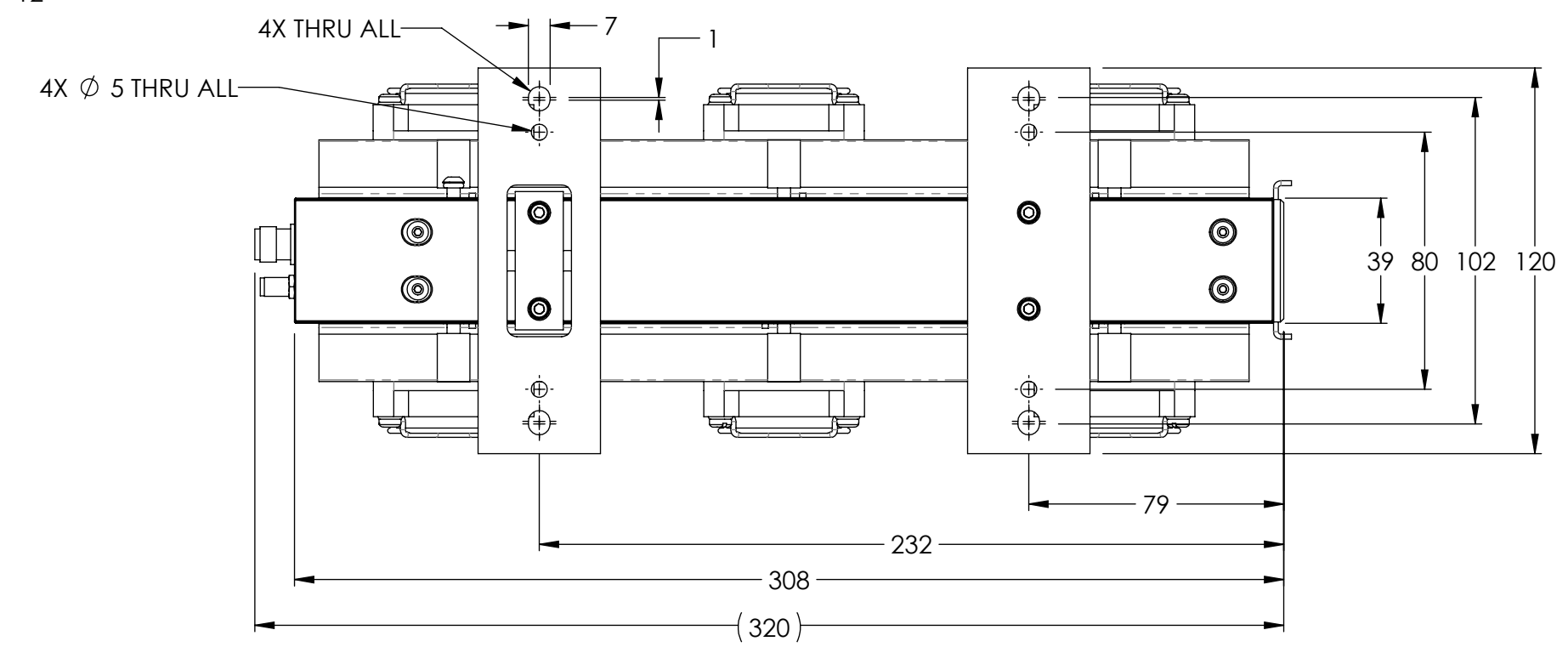
B

B



A

A



ACCESS LASER TRUMPF
 Member of the TRUMPF Group

Phone: 425-582-8674
 Fax: 425-582-8679
 www.accesslaser.com/
 purchasing@accesslaser.com

PROPRIETARY AND CONFIDENTIAL

THE INFORMATION CONTAINED IN THIS DRAWING IS THE SOLE PROPERTY OF ACCESS LASER COMPANY. ANY REPRODUCTION IN PART OR AS A WHOLE WITHOUT THE WRITTEN PERMISSION OF ACCESS LASER COMPANY IS PROHIBITED.

TOLERANCE / UNIT		ASME Y14.5-2009	
ISO 2768	METRIC	INCHES	FRACTIONAL
0.5 UP TO 6 :	±0.1	.x	± .1
< 6 UP TO 30 :	±0.2	.xx	± .01
< 30 UP TO 120 :	±0.3	.xxx	± .005
< 120 UP TO 400 :	±0.5		
< 400 UP TO 1000 :	±0.8		
ANGULAR: MACH	±0°20'	FRACTIONAL	±1/64
		BEND:	± .3
		ANGULAR: MACH	± 0°3'

DRAWN BY	AD	THIRD ANGLE PROJECTION
CHECKED BY		
APPROVED BY		SURFACE FINISH
FINISH		
MATERIAL		

PART NO.	REV
	A.01
DESCRIPTION:	
L4S Laser, FCCL 12V	
DRAWING SHALL BE IN ACCORDANCE WITH ASME Y14.5-2009	DO NOT SCALE DRAWING
SCALE 1:2	SHEET 1 OF 1
SIZE B	

4

3

2

1